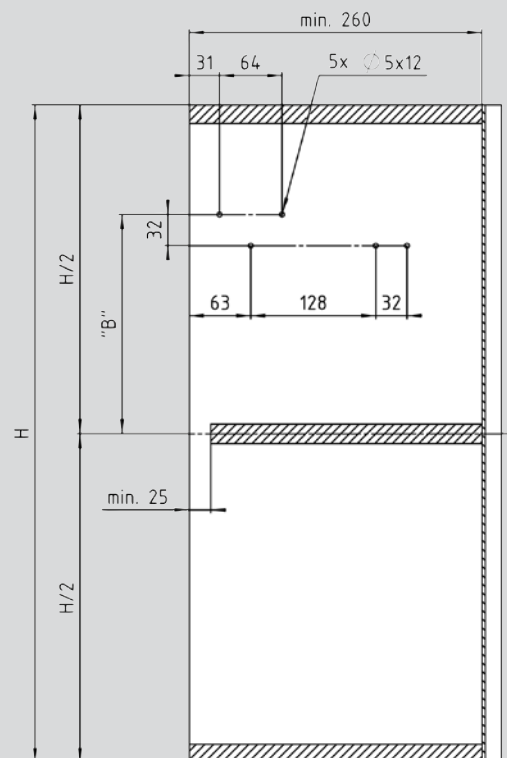


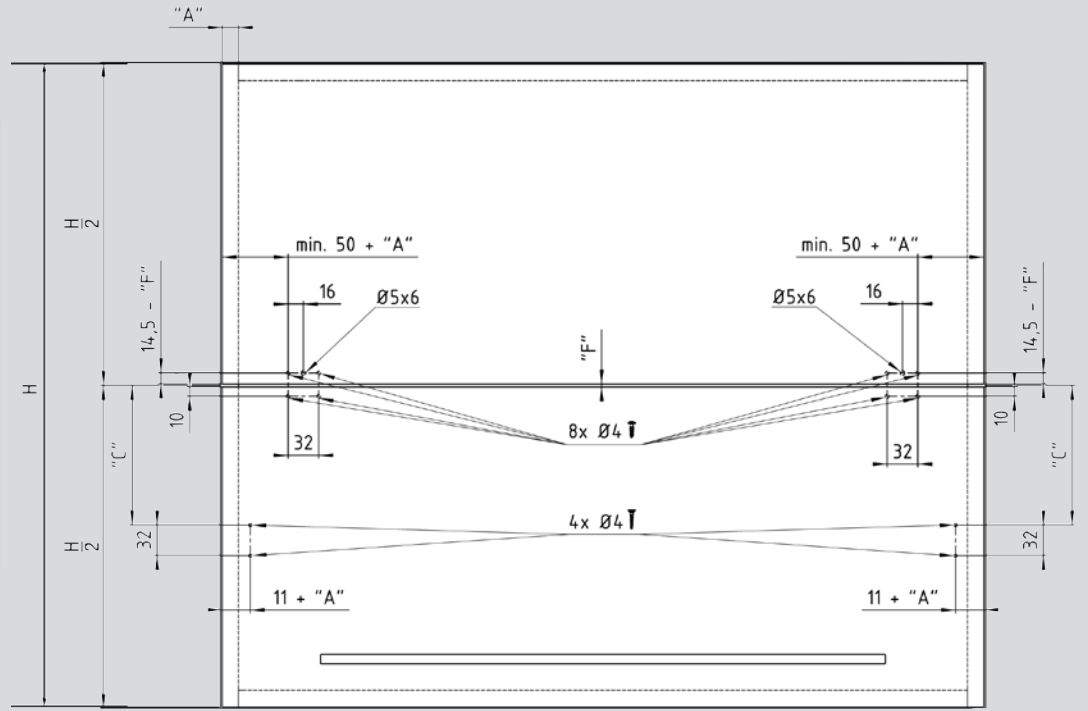
| H       | FB2D | "B" |
|---------|------|-----|
| 480-489 | 1    | 159 |
| 490-499 | 1    | 149 |
| 500-509 | 1    | 133 |
| 510-519 | 1    | 123 |
| 520-529 | 2    | 173 |
| 530-539 | 2    | 158 |
| 540-549 | 2    | 143 |
| 550-559 | 2    | 128 |
| 560-569 | 3    | 183 |
| 570-579 | 3    | 168 |
| 580-589 | 3    | 153 |
| 590-599 | 3    | 138 |
| 600-609 | 4    | 208 |
| 610-619 | 4    | 198 |
| 620-629 | 4    | 178 |
| 630-639 | 4    | 168 |
| 640-649 | 4    | 158 |
| 650-699 | 5    | 225 |
| 700-749 | 6    | 235 |
| 750-800 | 7    | 250 |



# FB-2-D

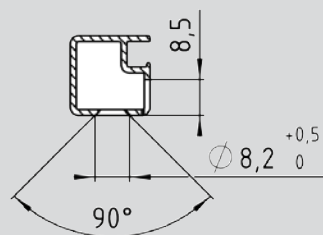
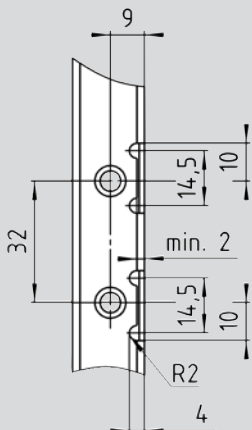
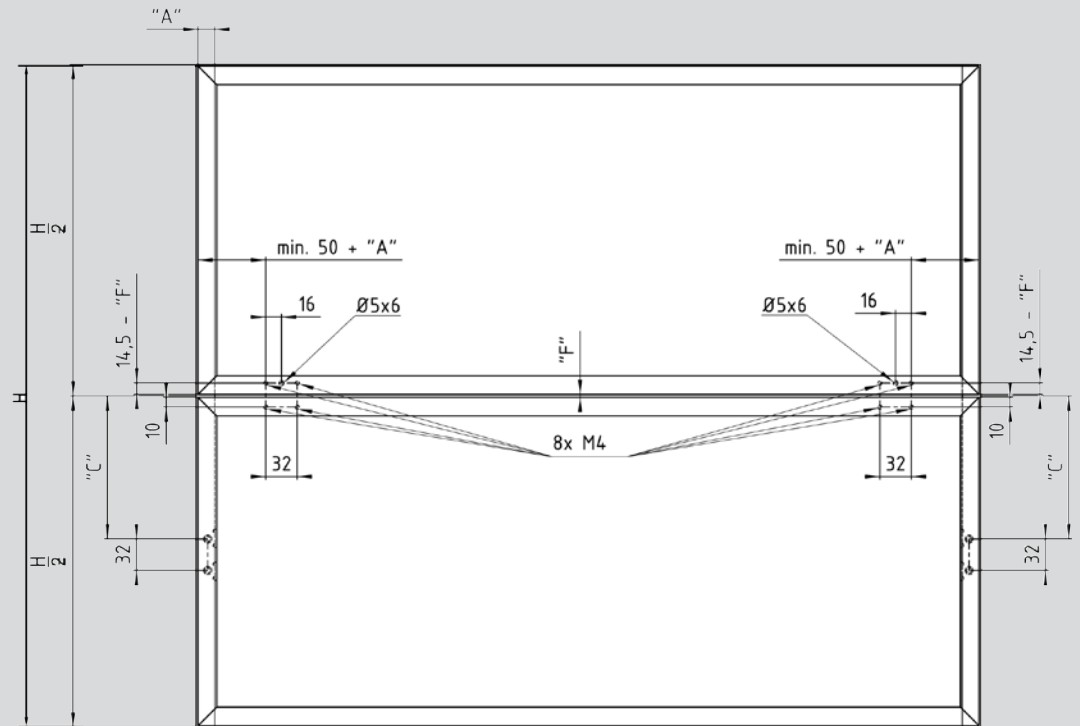
## 2

| H       | FB2D | "C" |
|---------|------|-----|
| 480-489 | 1    | 127 |
| 490-499 | 1    | 137 |
| 500-509 | 1    | 153 |
| 510-519 | 1    | 163 |
| 520-529 | 2    | 133 |
| 530-539 | 2    | 148 |
| 540-549 | 2    | 163 |
| 550-559 | 2    | 178 |
| 560-569 | 3    | 145 |
| 570-579 | 3    | 160 |
| 580-589 | 3    | 175 |
| 590-599 | 3    | 190 |
| 600-609 | 4    | 138 |
| 610-619 | 4    | 148 |
| 620-629 | 4    | 168 |
| 630-639 | 4    | 178 |
| 640-649 | 4    | 188 |
| 650-699 | 5    | 146 |
| 700-749 | 6    | 156 |
| 750-800 | 7    | 166 |

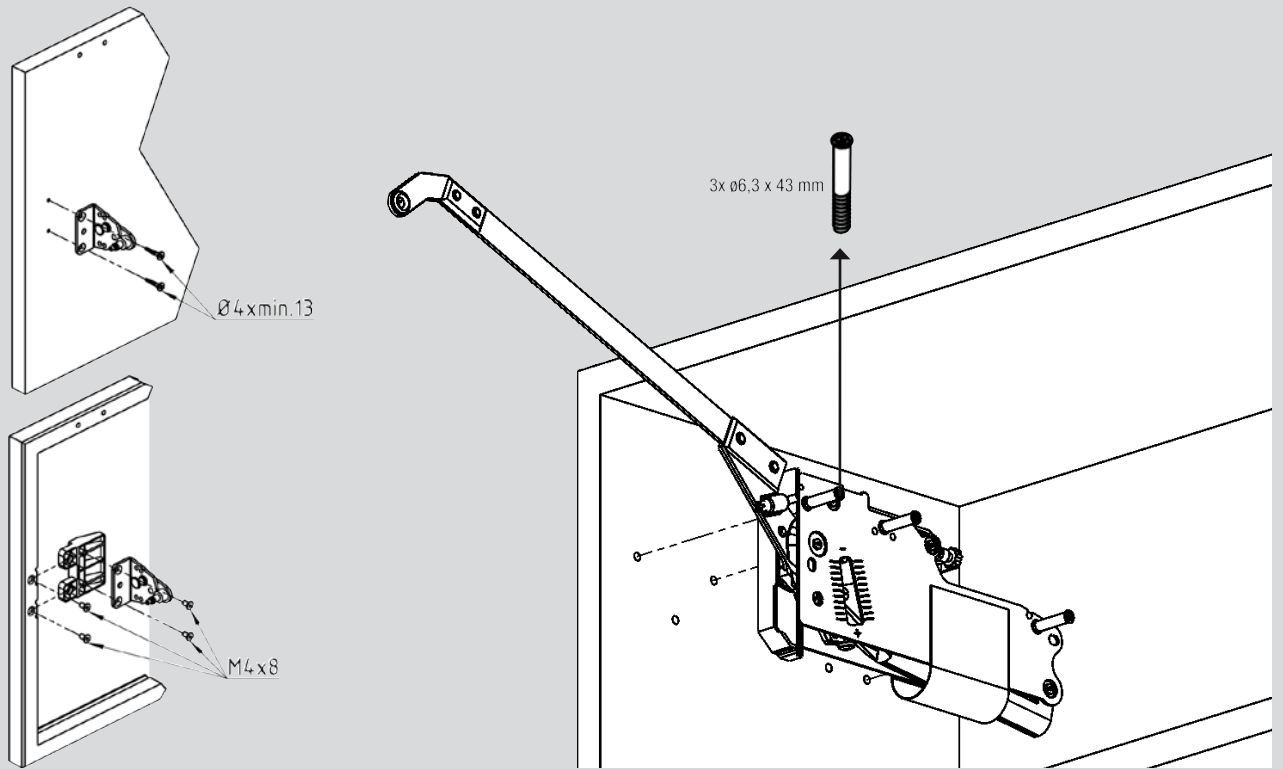


## 3

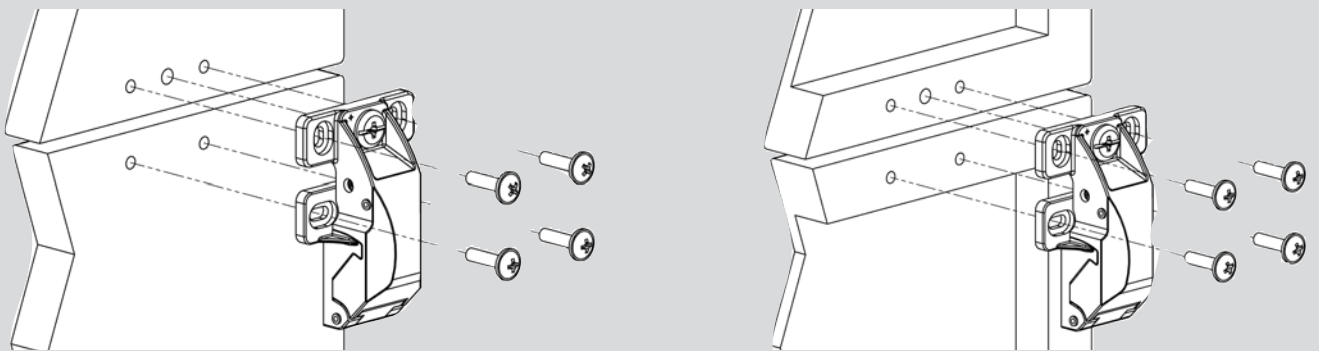
| H       | FB2D | "C" |
|---------|------|-----|
| 480-489 | 1    | 127 |
| 490-499 | 1    | 137 |
| 500-509 | 1    | 153 |
| 510-519 | 1    | 163 |
| 520-529 | 2    | 133 |
| 530-539 | 2    | 148 |
| 540-549 | 2    | 163 |
| 550-559 | 2    | 178 |
| 560-569 | 3    | 145 |
| 570-579 | 3    | 160 |
| 580-589 | 3    | 175 |
| 590-599 | 3    | 190 |
| 600-609 | 4    | 138 |
| 610-619 | 4    | 148 |
| 620-629 | 4    | 168 |
| 630-639 | 4    | 178 |
| 640-649 | 4    | 188 |
| 650-699 | 5    | 146 |
| 700-749 | 6    | 156 |
| 750-800 | 7    | 166 |



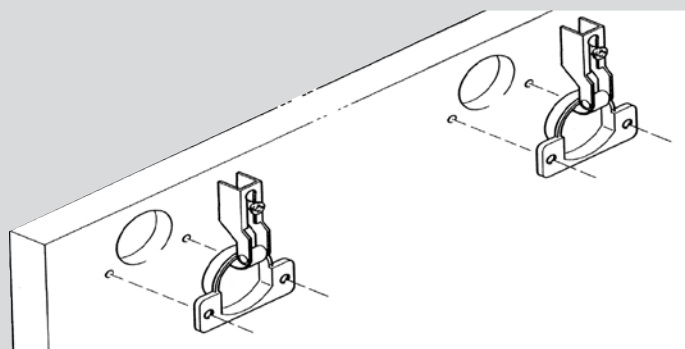
4



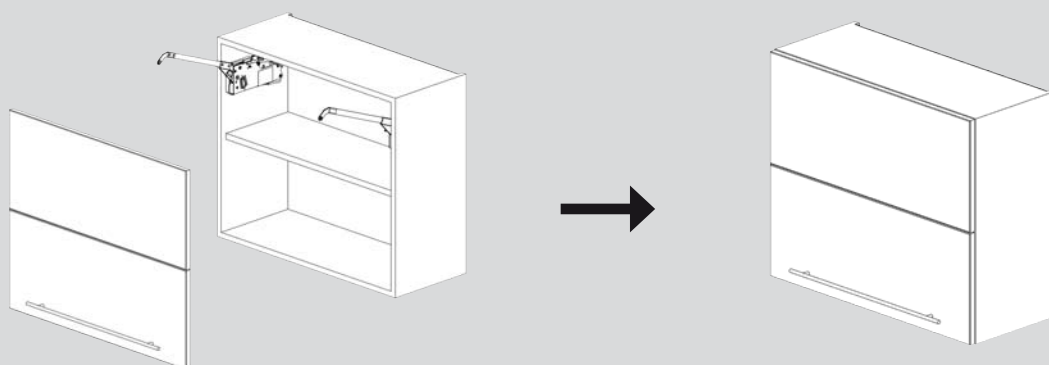
5



6

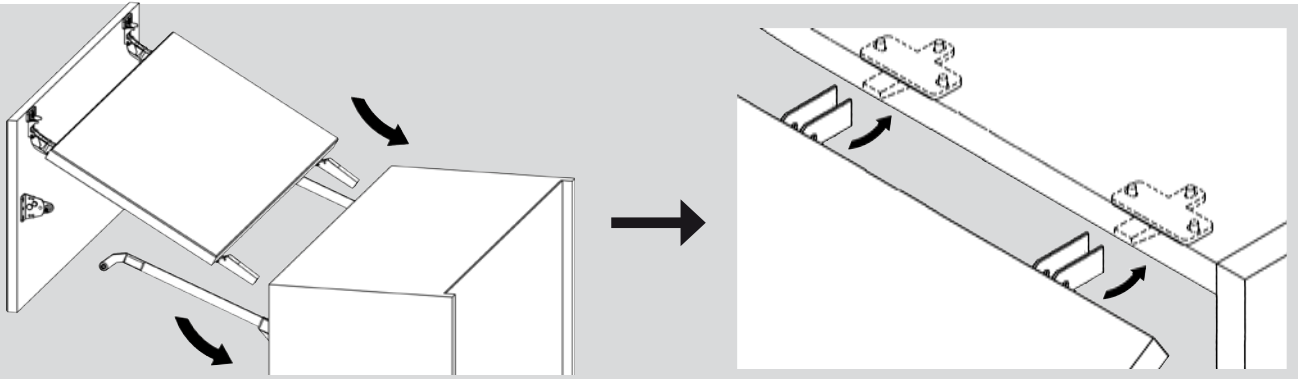


7

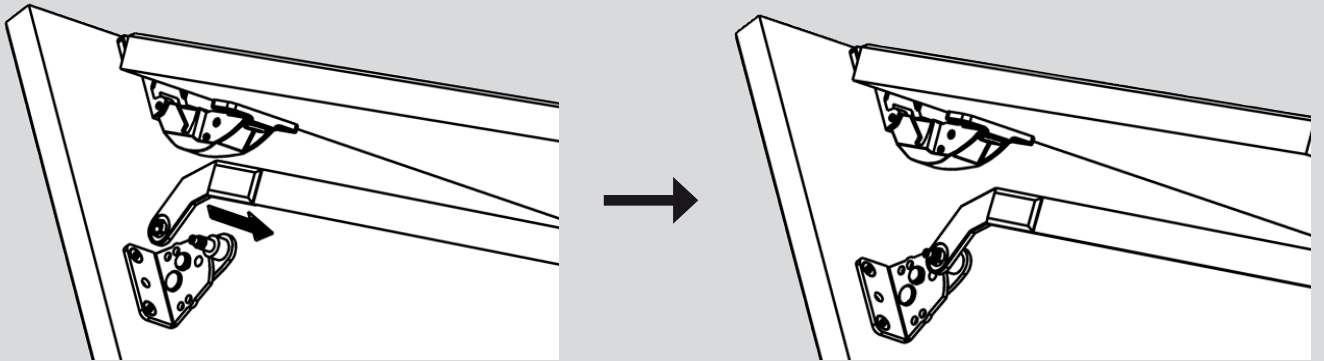


# FB-2-D

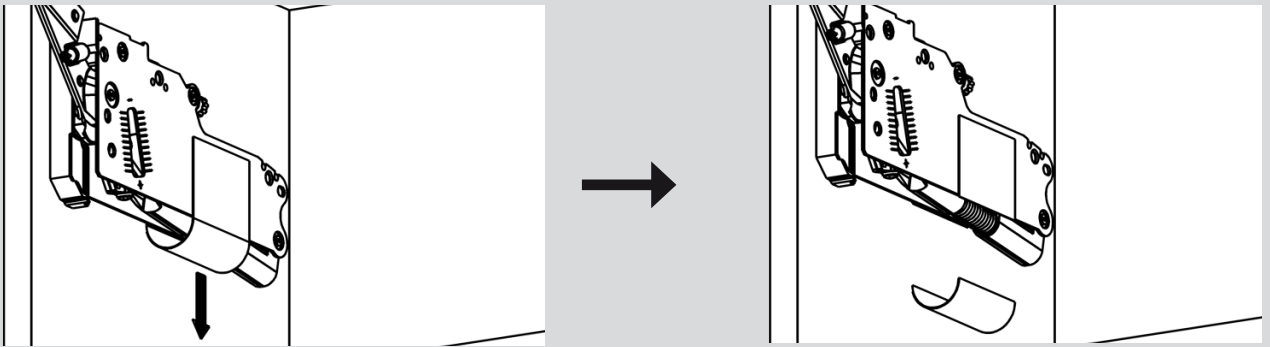
1.



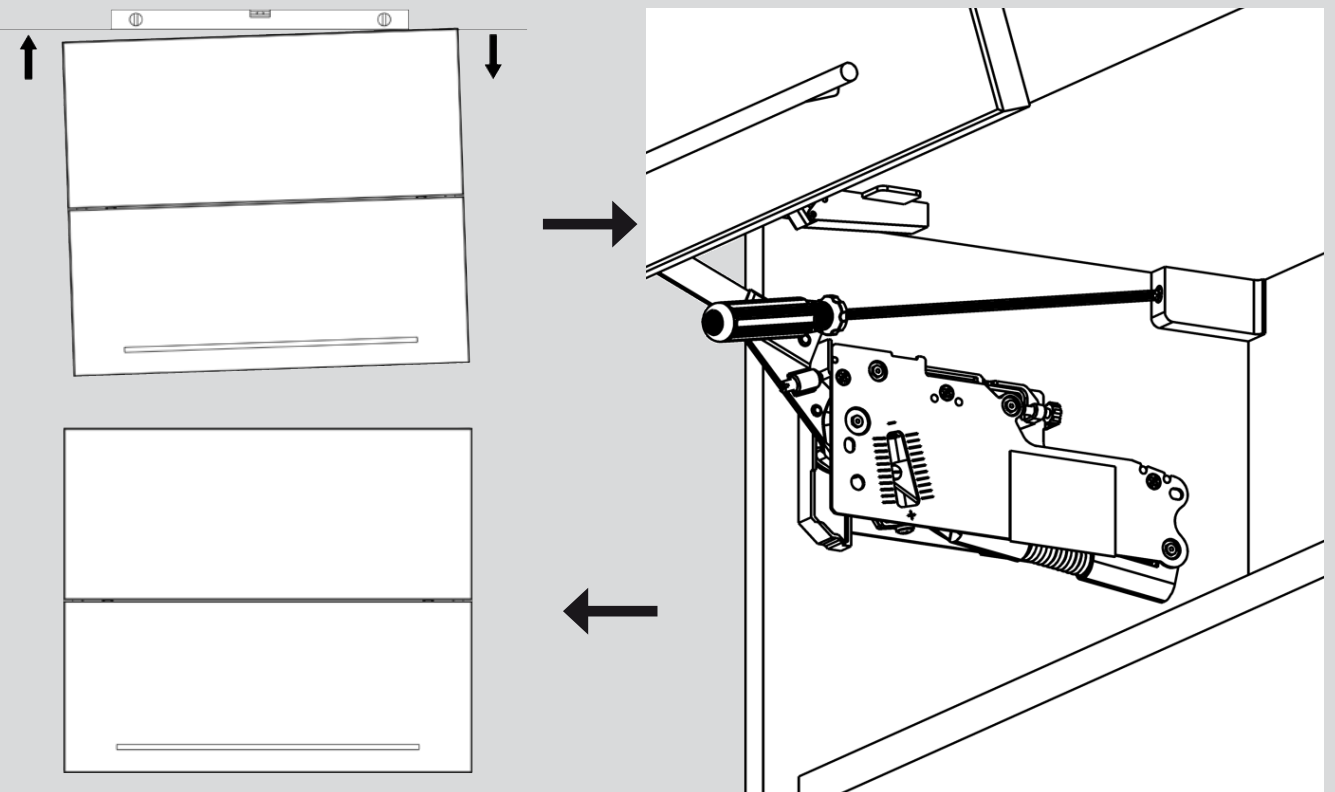
2.



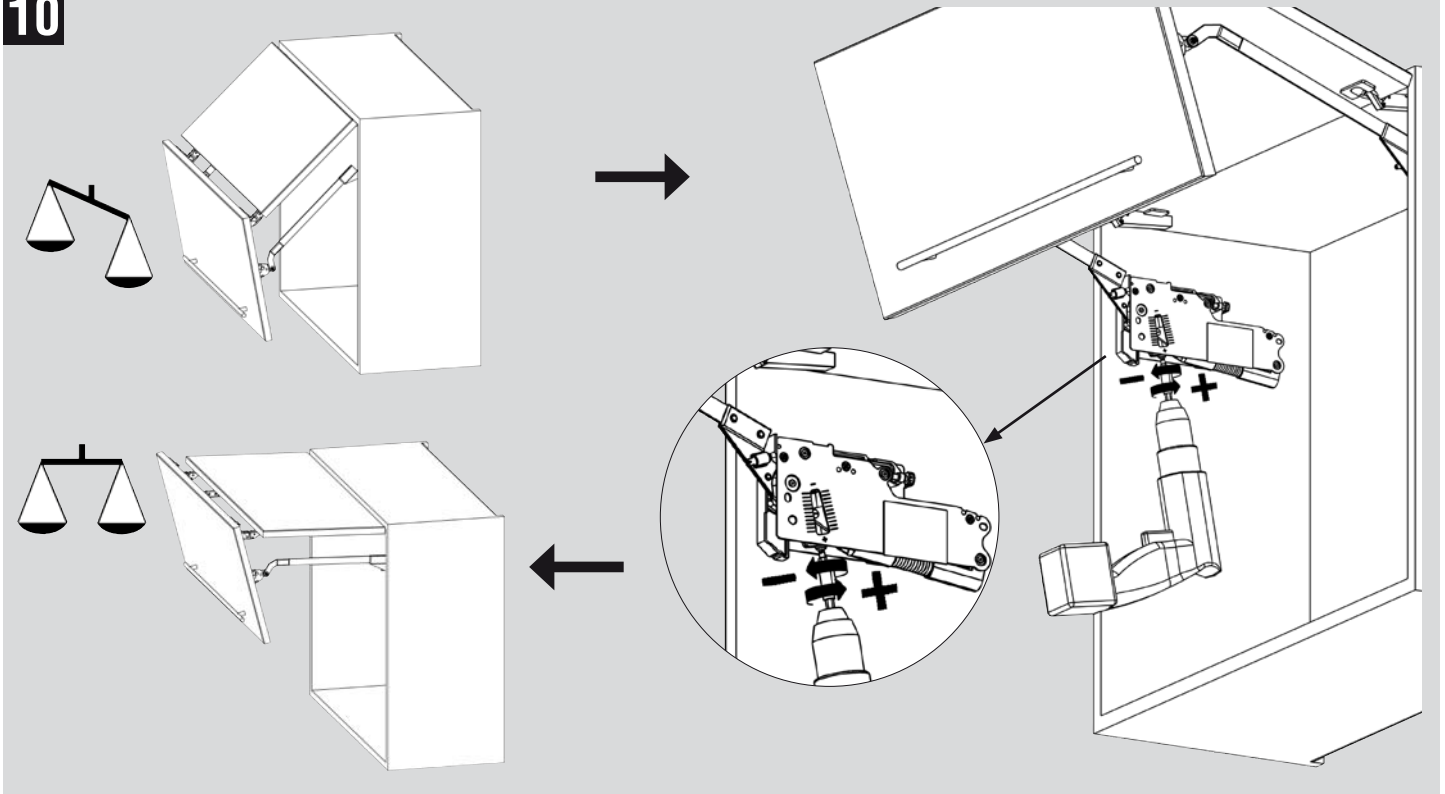
8



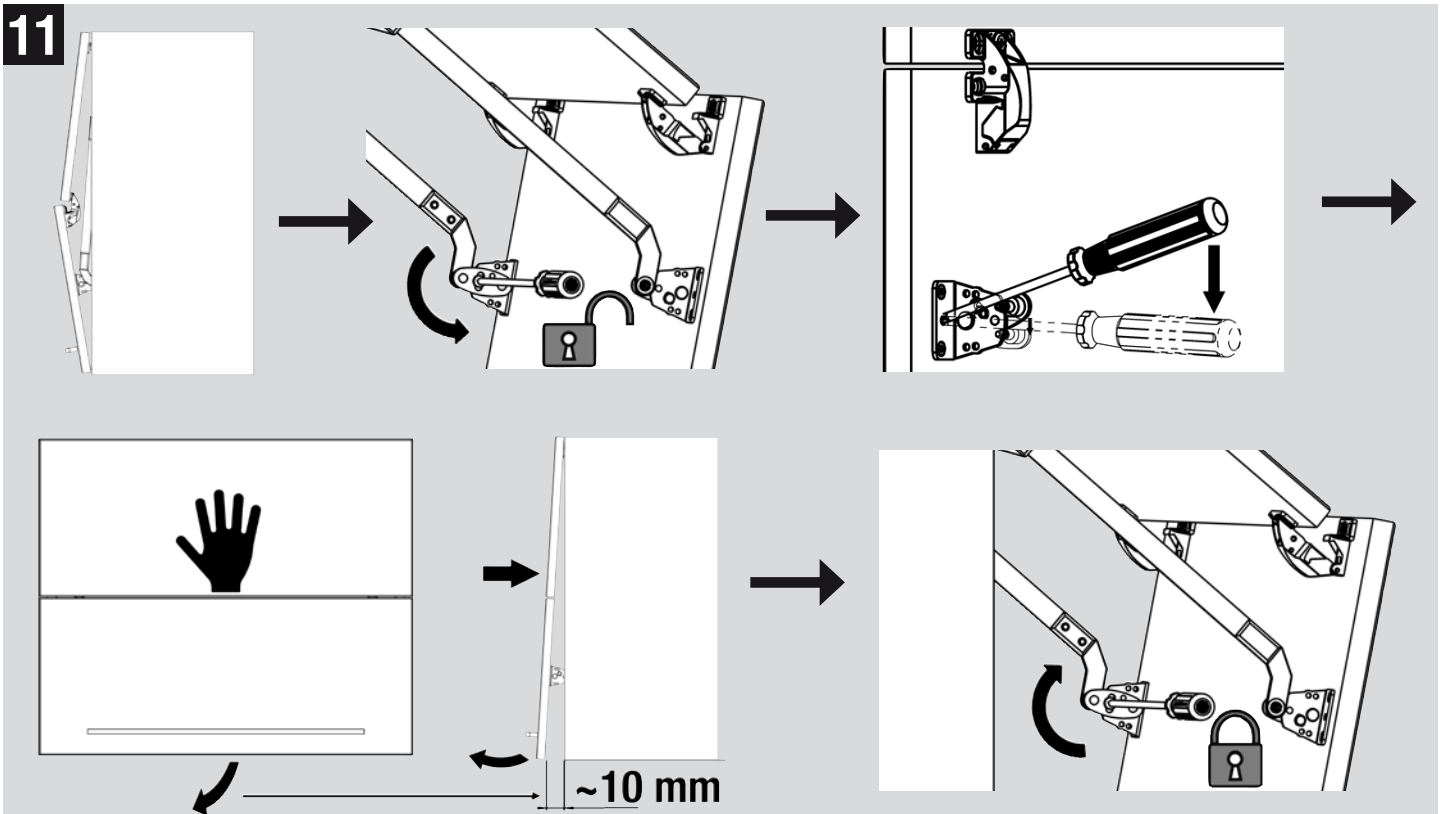
9



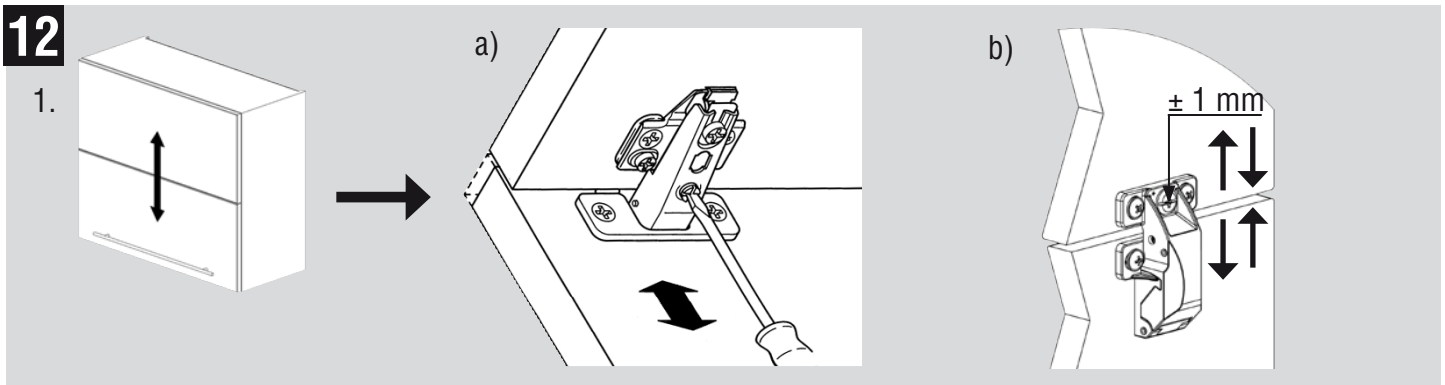
10



11

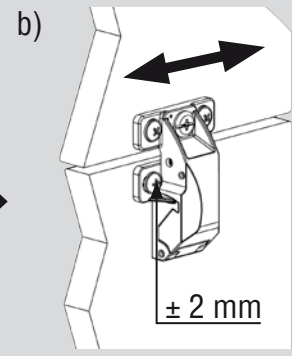
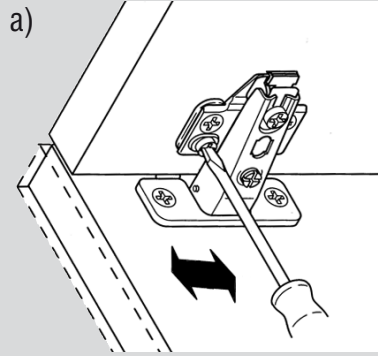
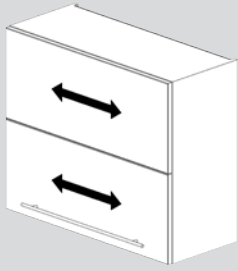


12

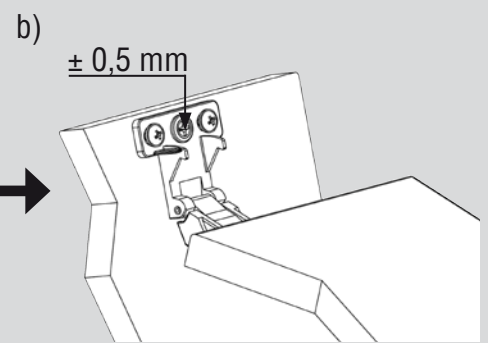
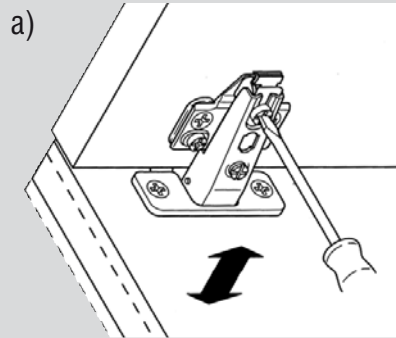
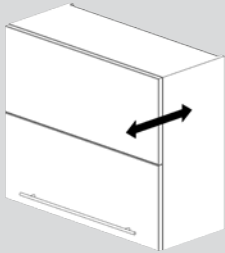


# FB-2-D

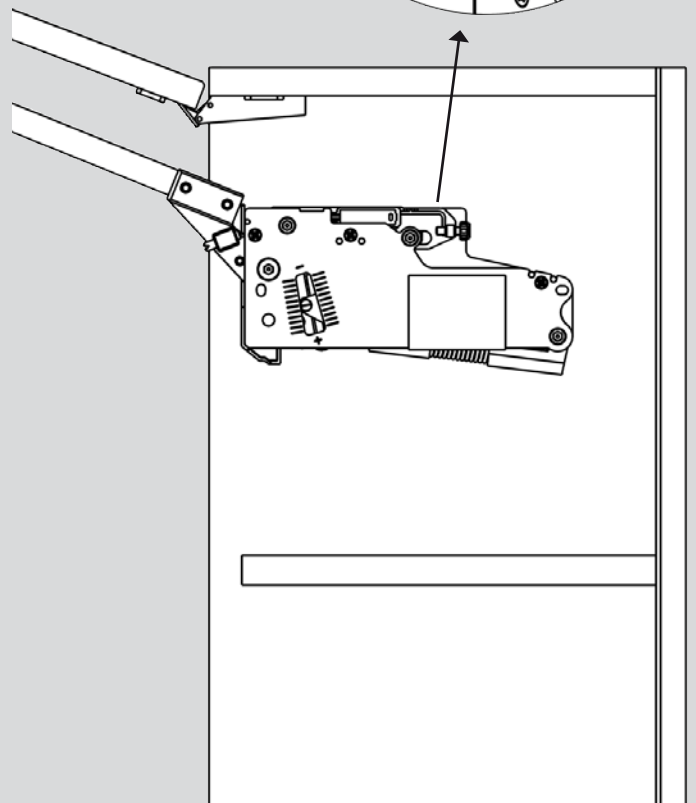
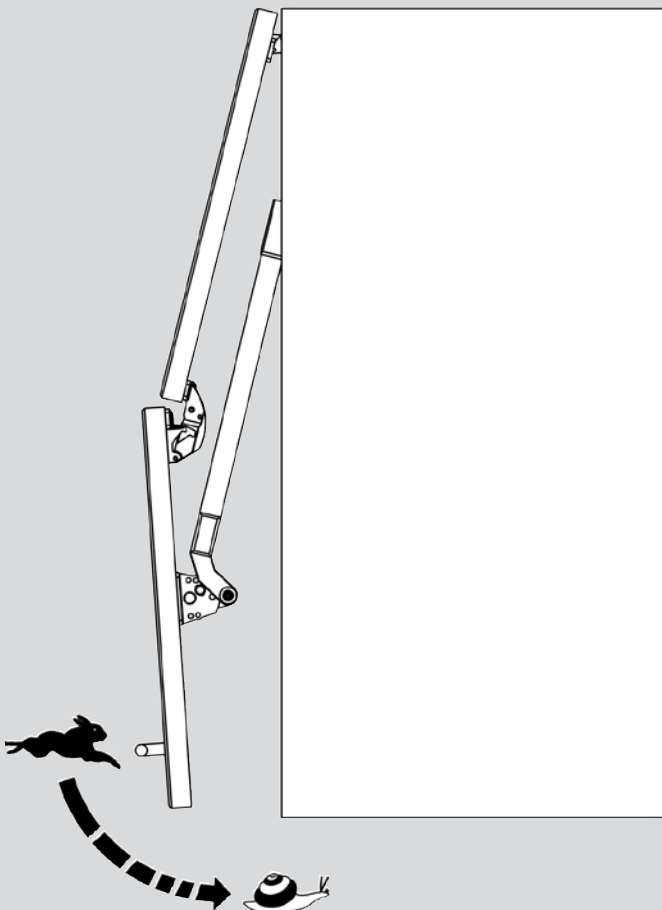
2.



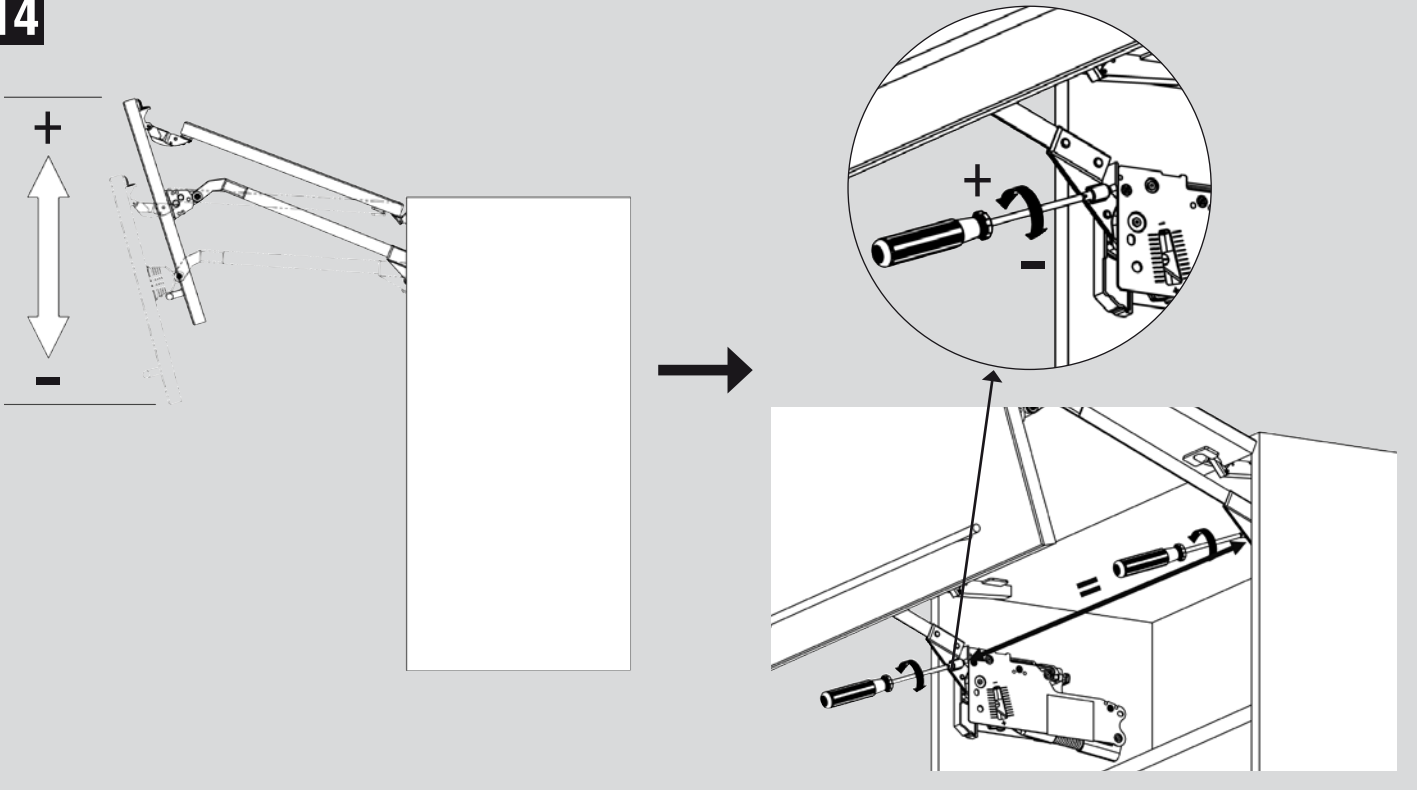
3.



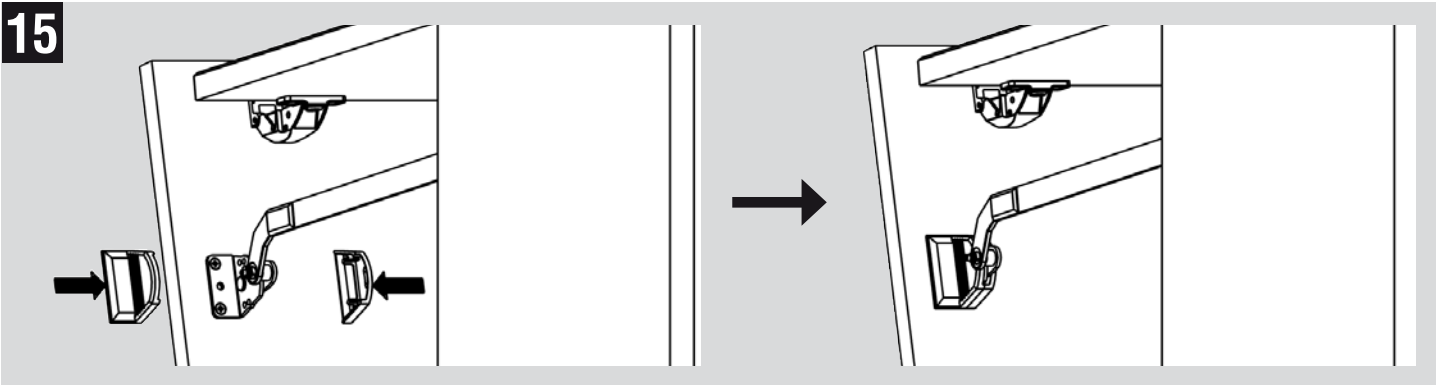
13



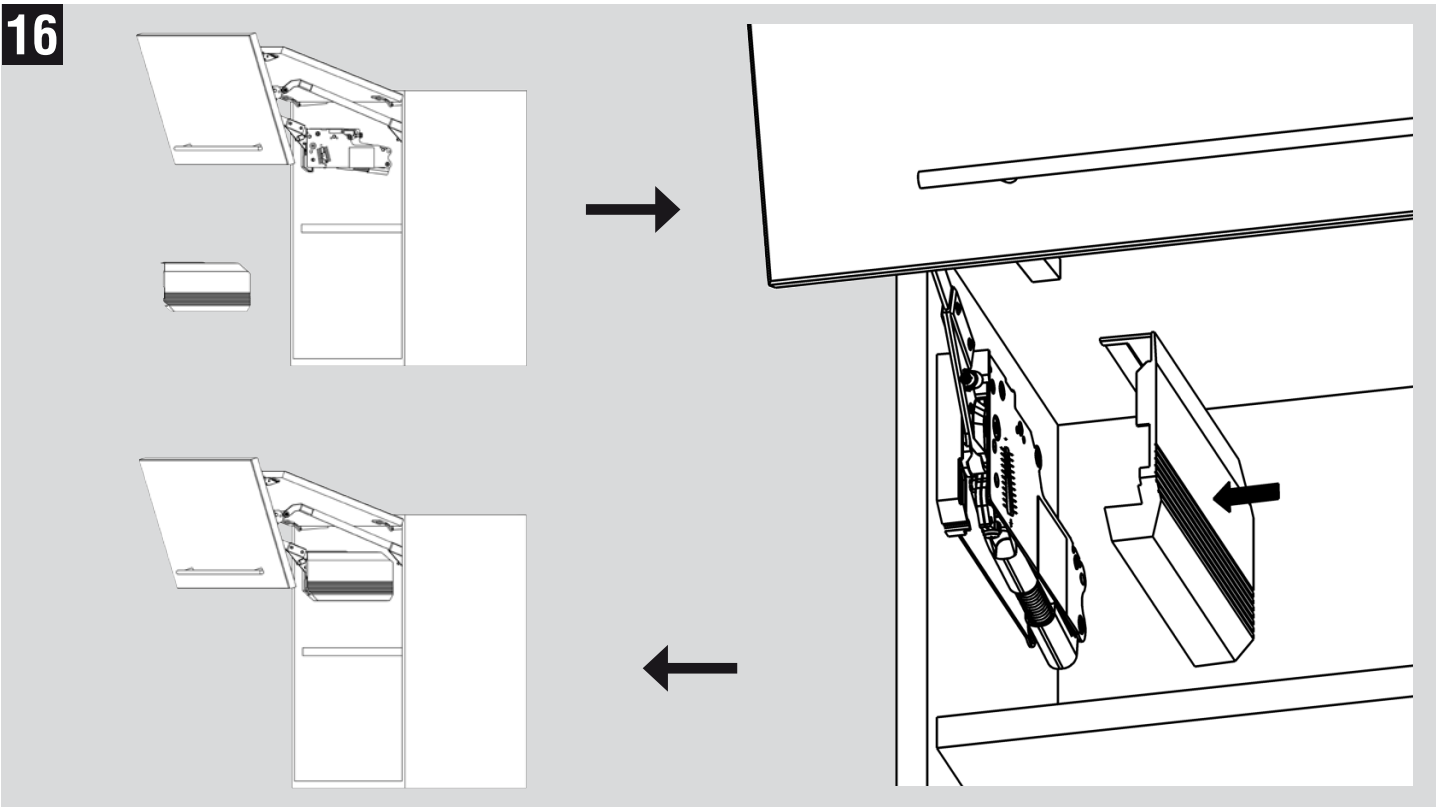
14



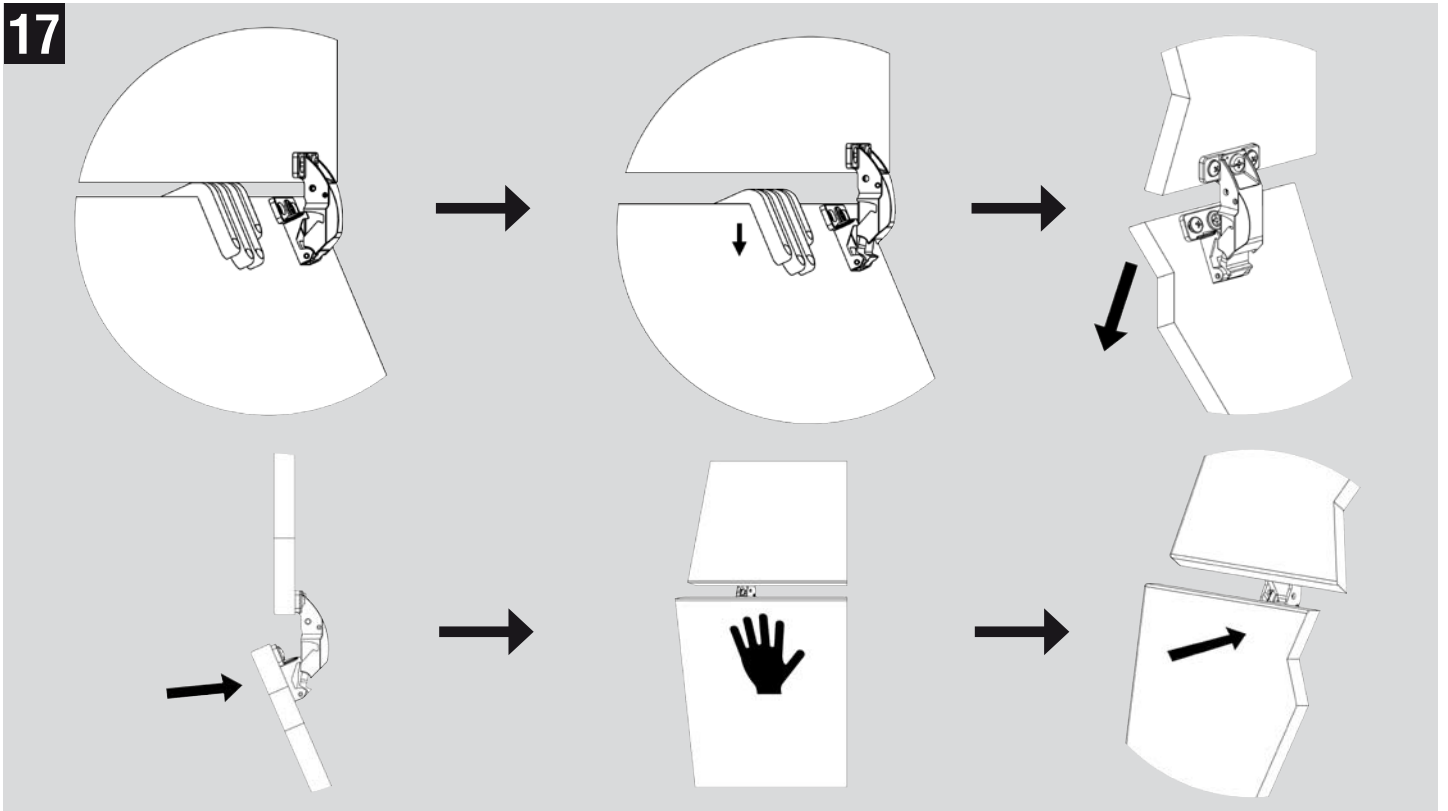
15



16



17



**HETAL**<sup>®</sup>

**Hetal-Werke**  
Franz Hettich GmbH & Co. KG  
P.O.Box 1240  
D-72272 Alpirsbach  
Germany  
Phone +49 / 7444 / 68-0  
Fax +49 / 7444 / 68-110  
e-mail: [Info@HETAL.de](mailto:Info@HETAL.de)  
[www.HETAL.de](http://www.HETAL.de)

D2870074000 /HE/ 0508